

THE PROPERTY OF THE DRAWING IS ESTABLISHED BY LAW  
IT IS FORBIDDEN TO PRODUCE OR SHOW IT TO THIRD PART  
WITHOUT A WRITTEN AGREEMENT.

MODIFICAZIONI

7	8	9
10	11	12

VARIED DIMENSIONI AS OF DATE

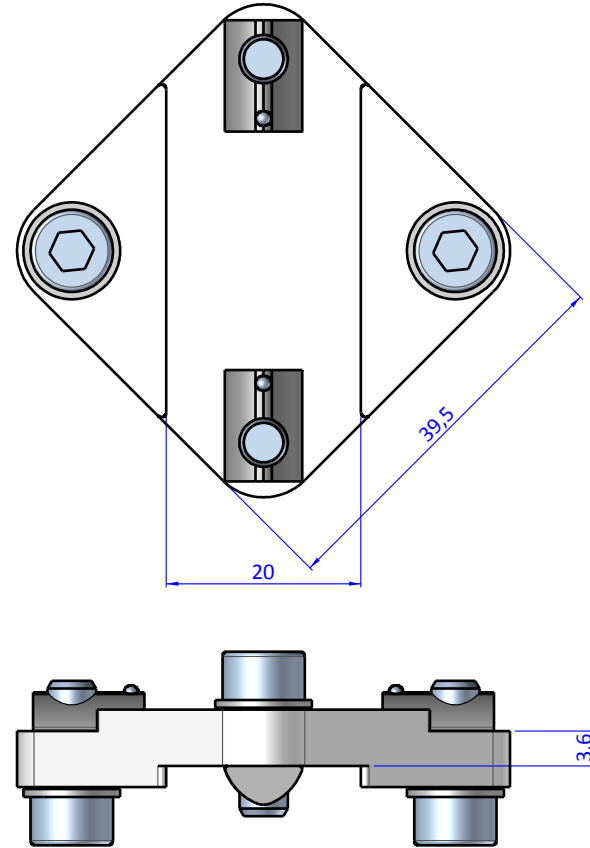
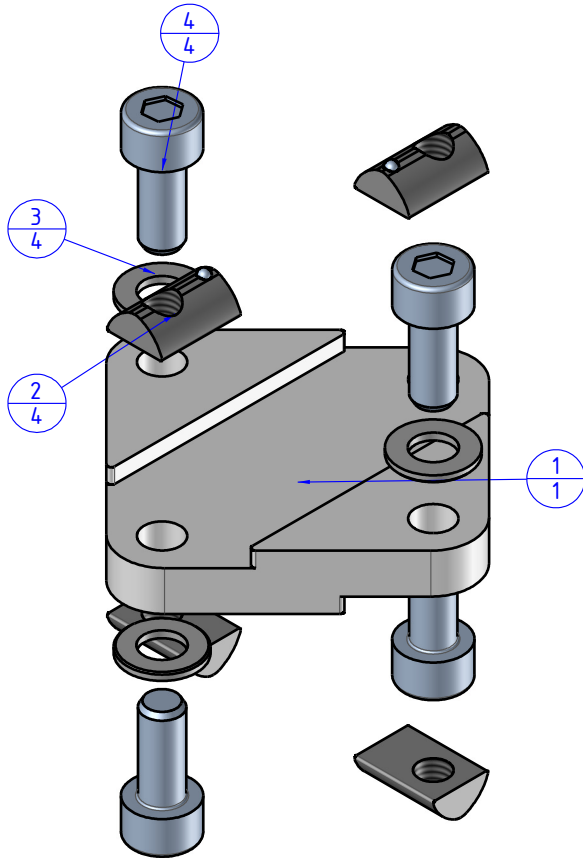
MODIFICAZIONI

1	2	3
4	5	6

VARIED DIMENSIONI AS OF DATE

Format A3  
UNI 936-76

Item	Name	Qty.
1	03.01.001	1
2	CA.02.05.003	4
3	R.5	4
4	V-tcei M 5 x 12	4



		DESIGNED FROM	
		FPSERVICES	
GENERAL TOLERANCE		DATE	WEIGHT
UNI - ISO 2768		08/06/2017	0,045kg
CLASSE I		CODE	
ca.03.01.001		CA.03.01.001	